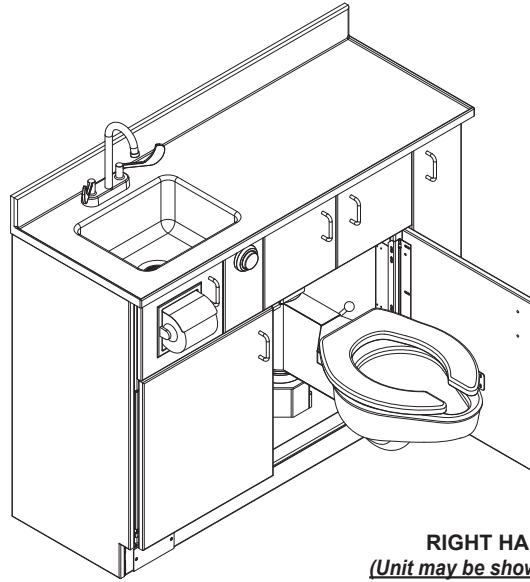


WH-1700 Series Swivel Toilet Patient Care Unit



RIGHT HAND UNIT SHOWN
(Unit may be shown with optional features)

To specify fixture and accessories, use the Model Number and Options page.

Example: To specify a WH-1700 swivel toilet Patient Care Unit with right hand swivel toilet, 1.6 GPF, wall outlet toilet waste, 3" PVC toilet waste coupling, Arctic White cabinet, Red Coral color countertop w/matching Red Coral color lavatory bowl, standard back wall backsplash, standard gooseneck wrist-blade faucet, standard bedpan washer spray assembly with volume control, and integral cabinet single valve dialysis box

Use the following Willoughby Model Number:
WH-1700-R-1.6-SWO-TWC3P-AW-RC-BCM-1-WB-BWS-VC-SDB

Recommended Specifications

Modular Patient Care Unit in decorator cabinet shall be:
Willoughby Model No. **WH-1700**
(Select from model number and options list on next page)
Unit shall be free standing and shall include the following standard equipment and features:

Cabinet:

Modular Type 304 stainless steel welded cabinet shall include:

- Solid polymer exterior cabinet panels and doors
(Doors have rounded edges to enhance patient safety and Toilet Doors will support a 250 pound static load via the frame-mounted piano hinges)
- Solid surface countertop and integral lavatory bowl
- Toilet tissue holder conveniently located on the cabinet face
- Standard side-mounted bedpan washer concealed behind a separate cabinet door

(Other bedpan washer configurations/dialysis boxes are options.)

Toilet:

Standard siphon jet type swivel toilet shall include:

- Elongated toilet bowl with contoured seat
- Integral crevice-free self-draining flushing rim w/ positive afterfill
- Fully enclosed 2-1/4" O.D. trap which shall maintain a minimum 2" seal and pass a 2" ball
- Bead blast finish bowl interior (optional antimicrobial white ext.*)

Toilet shall require 35 psi min. flushing pressure and shall meet the requirements of ASME A112.19.3/CSA B45.4.

Lavatory:

Solid surface lavatory shall include:

- Rectangular bowl, 13-1/2" x 10-1/2" x 7" deep, w/ grid drain
- Rigid gooseneck spout faucet w/ laminar flow nozzle

Optional Features:

- Lavatory waste traps and stops are available options
- Integral solid surface lav. bowl can be ordered in one of two contrasting colors to visually separate bowl from countertop
- If bedpan washer spray assembly with volume control (BWS-VC) is desired, then an elevated pressure type vacuum breaker by other is recommended to prevent backflow from occurring. Consult local codes for backflow prevention device requirements.

Mounting:

Anchoring shall be through the front and through the floor (anchoring hardware provided by others). Unit requires no chase area for installation and maintenance. Standard siphon jet type swivel toilet shall have a minimum 17" high rim height (less seat) and support a 2500 lb. vertical static load.

On back to back fixture installations, do not use standard cross type waste fitting: cross flow may result due to blow-out jet action. Use sanitary or offset type waste fittings.

Note: Fixture should only be used with a listed high-efficiency flushometer to ensure the complete system meets the requirements of WaterSense.



WARNING: Cancer and Reproductive Harm

- www.P65Warnings.ca.gov



MADE IN THE U.S.A.

visit our website at www.willoughby-ind.com
5105 West 78th Street • Indianapolis, IN. 46268
(317) 875-0830 • Fax: (317) 875-0837 • (800) 428-4065

MODEL NUMBER AND OPTIONS:

1.) Patient Care Unit Model Number:

- WH-1700-R (Right hand toilet, Left sink)
- WH-1700-L (Left hand toilet, Right sink)

2.) Flush Valve GPF (Must Specify):

- 1.28 GPF HET (4.8 Lpf) (WaterSense Labeled)
- 1.6 GPF ULF (6.0 Lpf) (Standard)
- 3.5 GPF (13.2 Lpf) (3" waste tube required)

3.) Toilet Fixture (Stainless Steel):

- SWO Swivel Toilet/Wall Outlet
- SFO Swivel Toilet/Floor Outlet

4.) Toilet Waste

- TWC__ Toilet Waste Coupling, for (SWO) only (Must Specify Connection):
 - 3P Connecting to 3" PVC
 - 3C Connecting to 3" Cast Iron
 - 4P Connecting to 4" PVC
 - 4C Connecting to 4" Cast Iron
- TWG Toilet Waste Gasket, for (SFO) only

5.) Exterior Polymer Panel Color (Must Specify):

- AW Arctic White
- WW White/White
- LG Light Grey
- SN Sansshade (Almond)
- SM Seafoam
- DG Dolphin Grey

6.) Countertop Color (AQCT) (Must Specify):

- BN Bone
- GW Glacier White
- GG Grey Granite
- SS Sandstone
- WG White Granite
- BG Black Granite
- NB Nocturnal Blue
- RC Red Coral
- SG Sea Green

7.) Countertop Sink Bowl Color:

- BCM Countertop-matching (Standard)
- BBN Bone
- BGW Glacier White

8.) Backsplash Orientation:

- 1 Back Wall Only (1 Wall) (Standard)
- 2 Right Hand Corner (2 Wall)
- 3 Left Hand Corner (2 Wall)
- 4 Alcove (3 Wall)

9.) Faucet:

- WB Gooseneck Spout, Laminar Flow, Wristblade Handles, 4CC
- FPF Gooseneck Spout, Laminar Flow, Foot Pedal Valve
- SSF Gooseneck Sensor Spout, Center Shank IR Operated, Laminar Flow (12v transformer is required)
- SSFB Gooseneck Sensor Spout, Center Shank IR (Battery Operated), Laminar Flow

10.) Other Options:

- BWS-VC Bedpan Washer Spray Assembly w/ Volume Control
- SDB Integral Cabinet Single Valve Dialysis Box
- DDB Integral Cabinet Dual Valve Dialysis Box
- DC Antimicrobial White Exterior Toilet Finish*
- BL Bedpan Lugs
- TFL Toilet Flush Lock
- PAD Paddle Latch Toilet Release

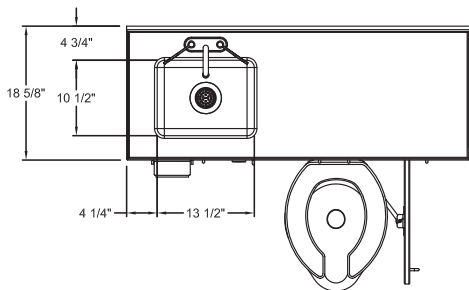
11.) Code Variances:

- TMV Inline Thermostatic Mixing Valve
- PTC 'P' Trap w/Clean-out Plug
- LSS 1/2" x 3/8" Lavatory Supply Stops
- TF12PI 12v Plug-in Transformer (SSF faucet only)
- TF12HW 12v Hard-wire Transformer (SSF faucet only)
- Other _____
- Other _____

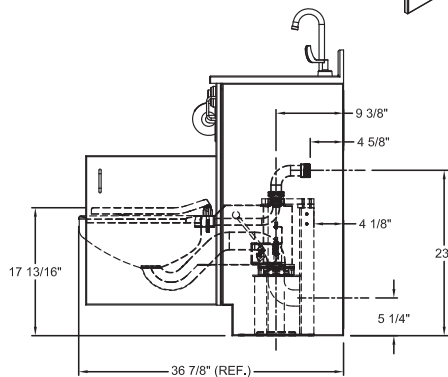
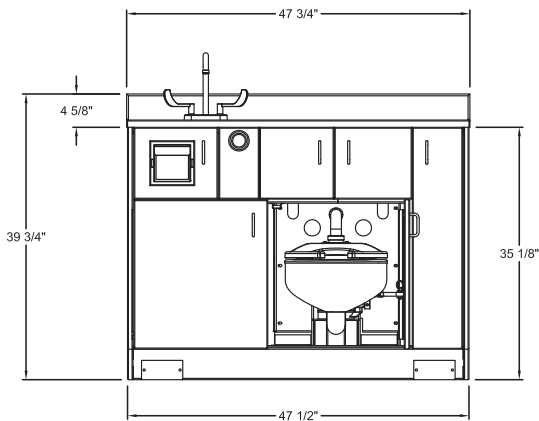
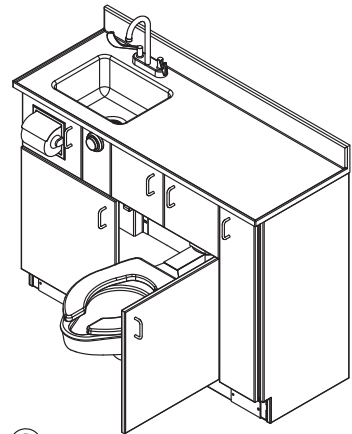
***Antimicrobial properties are built-in to inhibit the growth of bacteria that may affect this product. The antimicrobial properties do not protect users or others against bacteria, viruses, germs, or other disease organisms. Always use good hygienic cleaning practices.**

Approved For Manufacturing By: _____ Date: _____ Company: _____
 Wall Thickness: _____ Wall Type: _____

VERIFY ALL DIMENSIONS WITH FACTORY PRIOR TO ROUGH-IN
 WILLOUGHBY RESERVES THE RIGHT TO MAKE CHANGES IN DESIGN AND DIMENSIONS WITHOUT FORMAL NOTICE AND WITHOUT INCURRING OBLIGATION.



REFERENCE: S900641
 NOTE: RIGHT HAND MODEL SHOWN, LEFT HAND IS SYMMETRICALLY OPPOSITE
 NOTE: REFERENCE ROUGH-IN TEMPLATES:
 WALL: S901913
 FLOOR: S900608



visit our website at www.willoughby-ind.com
 5105 West 78th Street • Indianapolis, IN. 46268
 (317) 875-0830 • Fax: (317) 875-0837 • (800) 428-4065



MADE IN THE U.S.A.