

CWMES Series Multiple Station Hand Sink

Recommended Specifications

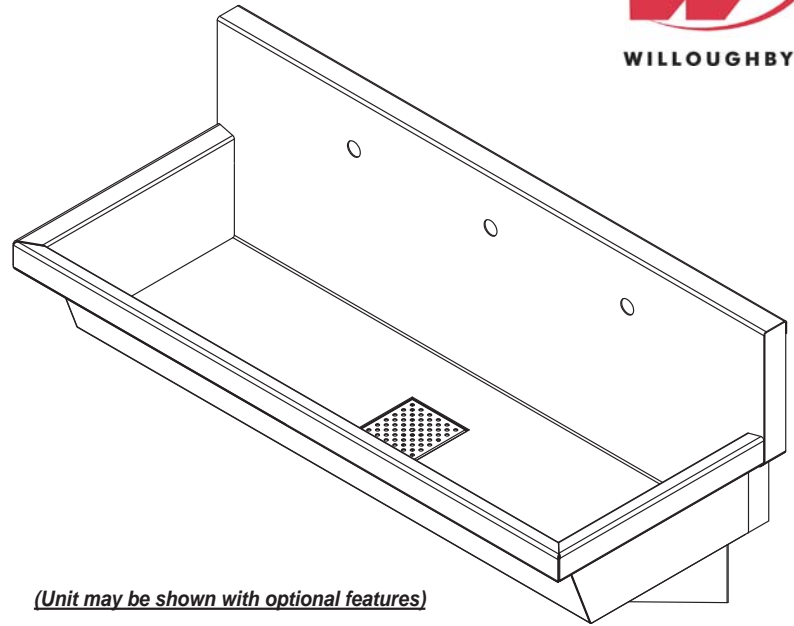
Multiple Station Hand Sink shall be:
Willoughby Model No. **CWMES-___**
(select model from table options)

Fixture, including bracing, shall be fabricated from 14 GA, Type 304 stainless steel. The construction shall be all-welded with exposed exterior stainless steel surfaces polished to a #4 satin finish.

Standard equipment shall include:
- 5" SQ. flat strainer drain

Faucets by others.

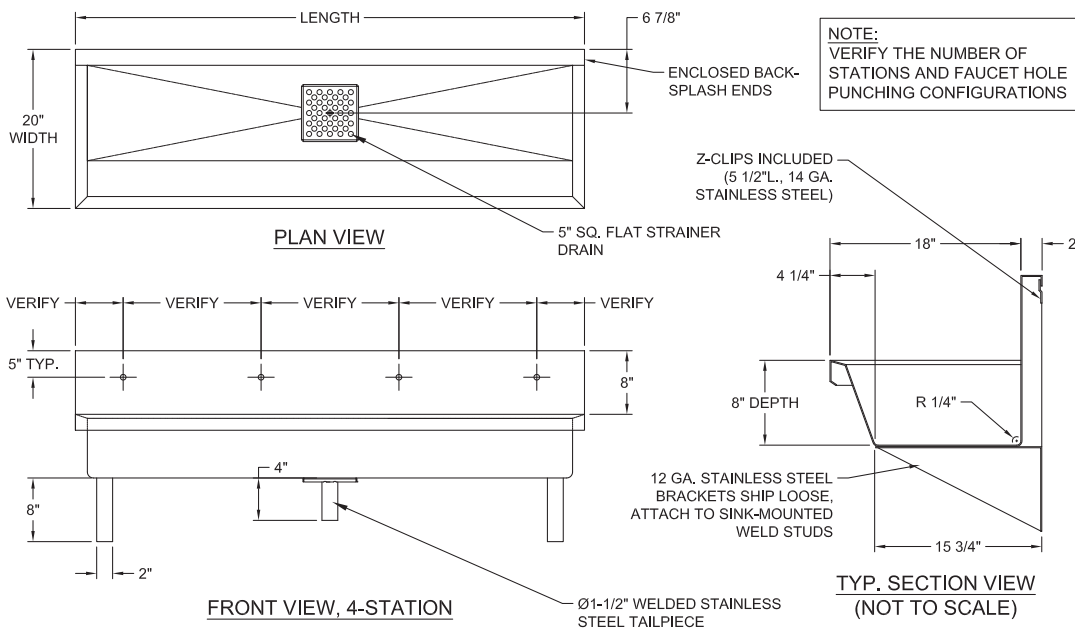
Anchoring shall be from the front with Z-clips and mounting holes. Anchoring hardware by others. Unit requires no chase area for installation and maintenance.



(Unit may be shown with optional features)

| ✓ | MODEL NUMBER | LENGTH | WIDTH | DEPTH | FAUCET STATIONS |
|---|-------------------|--------|-------|-------|-----------------|
| | CWMES-3620 | 36" | 20" | 8" | 2 |
| | CWMES-4820 | 48" | 20" | 8" | 2 |
| | CWMES-6020 | 60" | 20" | 8" | 3 |
| | CWMES-7220 | 72" | 20" | 8" | 3 |
| | CWMES-9620 | 96" | 20" | 8" | 4 |

VERIFY ALL DIMENSIONS WITH FACTORY PRIOR TO ROUGH-IN
WILLOUGHBY RESERVES THE RIGHT TO MAKE CHANGES IN DESIGN AND DIMENSIONS WITHOUT FORMAL NOTICE AND WITHOUT INCURRING OBLIGATION.



WARNING: Cancer and Reproductive Harm

- www.P65Warnings.ca.gov

visit our website at www.willoughby-ind.com
5105 West 78th Street • Indianapolis, IN. 46268
(317) 875-0830 • Fax: (317) 875-0837 • (800) 428-4065



MADE IN THE U.S.A.