

CSS-2419 Commercial Service Sink

Recommended Specifications

Commercial Service Sink shall be:
Willoughby Model No. **CSS-2419**

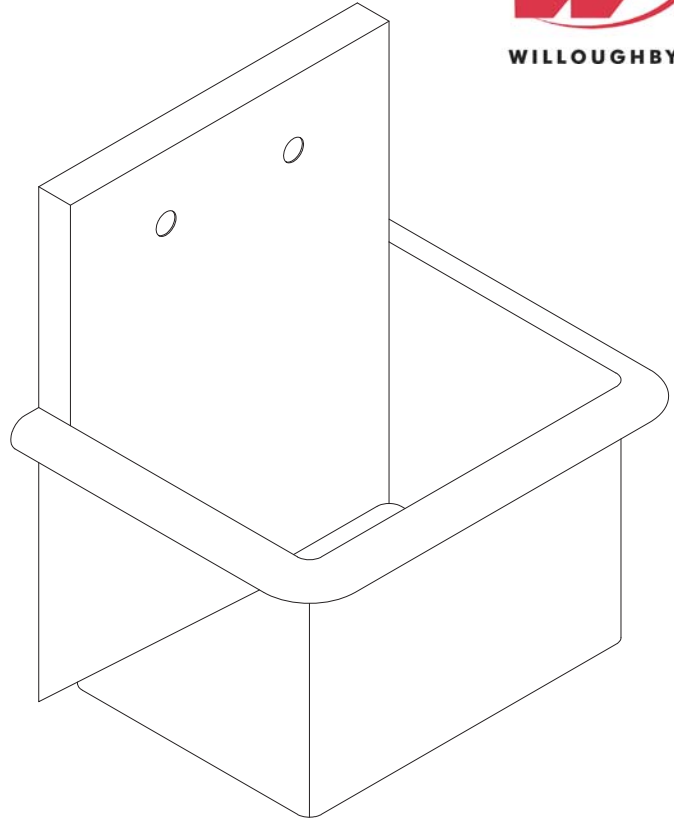
Fixture shall be fabricated from 14 GA, Type 304 stainless steel.
The construction shall be all-welded, with exposed stainless surfaces polished to a #4 satin finish.

Standard equipment shall include:

- Rectangular shaped, 20" x 15" x 14" deep sink bowl
- 1-1/2" M.I.P. basket drain

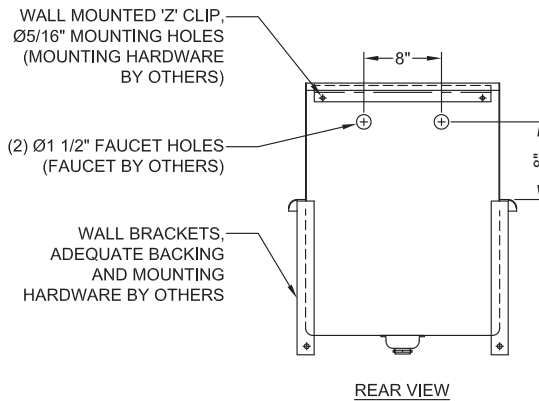
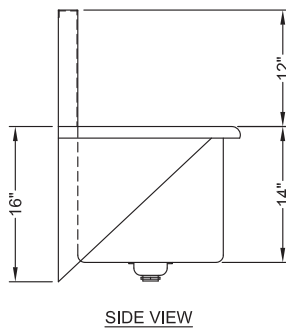
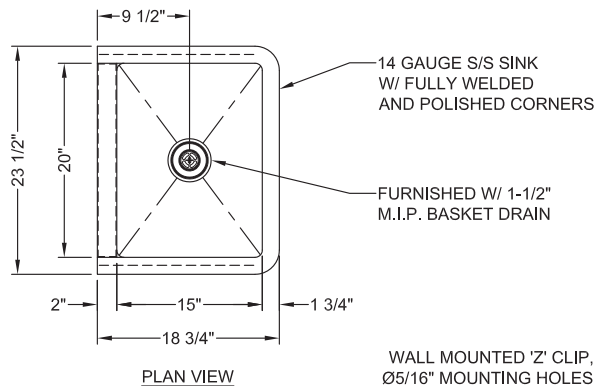
Faucet by others. The service sink is manufactured to ASME A112.19.3/CSA B45.4.

Anchoring shall be from the front with 'Z' clips and anchoring holes, anchoring hardware by others. Unit requires no chase area for installation and maintenance.



(Unit may be shown with optional features)

VERIFY ALL DIMENSIONS WITH FACTORY PRIOR TO ROUGH-IN
WILLOUGHBY RESERVES THE RIGHT TO MAKE CHANGES IN DESIGN AND DIMENSIONS WITHOUT FORMAL NOTICE AND WITHOUT INCURRING OBLIGATION.



WARNING: Cancer and Reproductive Harm

- www.P65Warnings.ca.gov

visit our website at www.willoughby-ind.com
5105 West 78th Street • Indianapolis, IN. 46268
(317) 875-0830 • Fax: (317) 875-0837 • (800) 428-4065



MADE IN THE U.S.A.