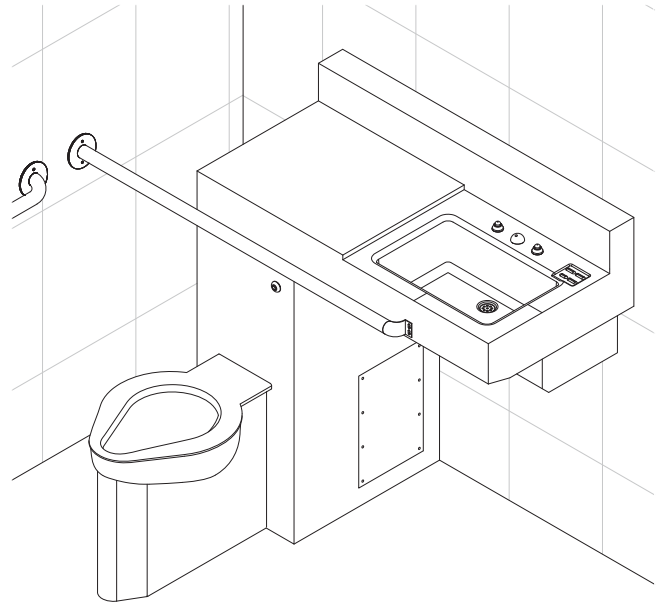


## 3696-FA Series 36" Wide Handicap-ADA Front Access Combination Lavatory/Toilet Unit for use on 90 degree wall



IN COMPLIANCE  
WITH A.D.A. 2010  
& CBC 2016, 11B\*



**OFFSET LEFT UNIT SHOWN**  
*(Unit shown with optional features: (GB4296) ADA grab is not included standard\*)*

To specify fixture and accessories, use the Model Number and Options page.  
Example: To specify a wall outlet front access 36" wide handicap combination unit with offset left toilet, standard ligature-resistant deck mounted bubbler, 1.6 GPF, dual temp, pneumatic metering valve, standard ligature-resistant pneumatic push buttons, removable lav. 'p' trap, lav. fast drain, standard gasketed waste connection, 42" ADA grab bar, hydraulic flush valve, and wall template

Use the following Willoughby Model Number:  
**ECW-3696-FA-L-ON-DMBH-1.6-PML2-PBH-RPT-GWC-GB4296-FV-MT**

## Recommended Specifications

36" Wide Handicap-ADA Front Access Combination Lavatory/Toilet Unit for use on 90 degree wall shall be:  
Willoughby Model No. **EC\_\_-3696-FA**  
(Select from model number and options list on next page)

Fixture shall be fabricated from 14 gauge, type 304 stainless steel. The construction shall be all welded, with exposed stainless surfaces polished to a #4 satin finish. Removable access panels, attached w/ security screws shall provide access to fixture interior.

Standard toilet shall include:

- Elongated toilet bowl with contoured seat
- Integral crevice-free self-draining flushing rim with positive afterfill
- Bead blast finish bowl interior

Toilet shall be blowout type, requiring 35 psi min. flushing pressure. Model shall meet the requirements of ASME A112.19.3/CSA B45.4.

Standard lavatory shall include:

- Rectangular-shaped bowl, 14" x 9-1/2" x 4-3/8" deep
- Stainless steel ligature-resistant bubbler/filler
- Fast drain with air vent
- Removable slip-joint brass union 'P' trap (1-1/2" N.P.T.)
- Self-draining soap dish
- Ligature-resistant toilet skirt

Fixture shall withstand loadings of 5,000 lbs. without permanent damage. Cabinet interior shall be sound deadened with fire-resistant material. Optionally selected lavatory valve and flush valve shall be factory installed inside fixture cabinet.

Anchoring shall be from the front, anchoring holes provided. Anchoring hardware provided by others. Standard unit requires no chase area for installation and maintenance, however certain non-standard options may require an accessible chase (see options list for details).

**On back to back fixture installations, do not use standard cross type waste fitting: cross flow may result due to blowout jet action. Use sanitary or offset type waste fittings.**

**Note:** Unit will pass a 2" ball.

- \*1.) ADA Compliance requires the addition of Grab Bar # (GB4296); see Section S11-SUPPLEMENTAL INFORMATION for 3696 Series ADA Diagram.**
- 2.) (RTH)- Recessed Tissue Holder option is not ADA Compliant.**

**Note:** Fixture should only be used with a listed high-efficiency flushometer to ensure the complete system meets the requirements of WaterSense.



**WARNING:** Cancer and Reproductive Harm

- [www.P65Warnings.ca.gov](http://www.P65Warnings.ca.gov)



MADE IN THE U.S.A.

visit our website at [www.willoughby-ind.com](http://www.willoughby-ind.com)  
5105 West 78th Street • Indianapolis, IN. 46268  
(317) 875-0830 • Fax: (317) 875-0837 • (800) 428-4065

# MODEL NUMBER AND OPTIONS:

**1.) Toilet Waste Location:**

- ECW Wall Outlet
- ECF Floor Outlet

**2.) Base Model Number:**

- 3696-FA 36" Wide Front Access Handicap Lav-toilet Combination

**3.) Toilet Orientation:**

- L Offset Left
- R Offset Right

**4.) Fixture Mounting:**

- ON On-Floor

**5.) Bubbler Selection:**

- DMBH Ligature-resistant Deck Mounted Bubbler (Standard)

**6.) Flush Valve GPF (Must Specify):**

- 1.28 GPF HET (4.8 Lpf) (WaterSense Labeled)
- 1.6 GPF ULF (6.0 Lpf)
- 3.5 GPF (13.2 Lpf)

**7.) Lavatory Valve Selection:**

- NV No Valve
- PSL1 Single Temp. Pneumatic Non-metering
- PSL2 Dual Temp. Pneumatic Non-metering
- PML1 Single Temp. Pneumatic Metering
- PML2 Dual Temp. Pneumatic Metering
- E1L1 Single Temp. Electronic (Pick Control)
- E1L2 Dual Temp. Electronic (Pick Control)

**8.) Lavatory Push Button Selection:**

- PBH Ligature-resistant Pneumatic Push Buttons
- PZPB Ligature-resistant Piezo Electronic Push Buttons

**9.) Electronic Controls\***

(Must Use Electronic Lavatory & Flush Valves):

- WUCC-3010  Pneutronic  WMSII

**10.) Lavatory Waste:**

- RPT Removable 'P'-Trap (1-1/2" N.P.T.) (Standard)
- OV Lavatory Overflow
- CW1 Combined Waste w/o Clean-out
- CW2 Combined Waste w/ Clean-out
- SLOW Slow Drain

**11.) Toilet Waste:**

- GWC Gasketed Waste Connection (Standard)
- TWE Toilet Waste Extension (Requires Accessible Chase)
- TW4 Floor Outlet Waste Connection

**12.) Waste Coupling for (TWE) Toilet Waste Extension:**

- TWC3P Connecting to 3" PVC
- TWC3C Connecting to 3" Cast Iron
- TWC4P Connecting to 4" PVC
- TWC4C Connecting to 4" Cast Iron

**13.) Grab Bar Options:**

- GB4296 42" ADA Grab Bar (Req. for ADA Compliance)\*

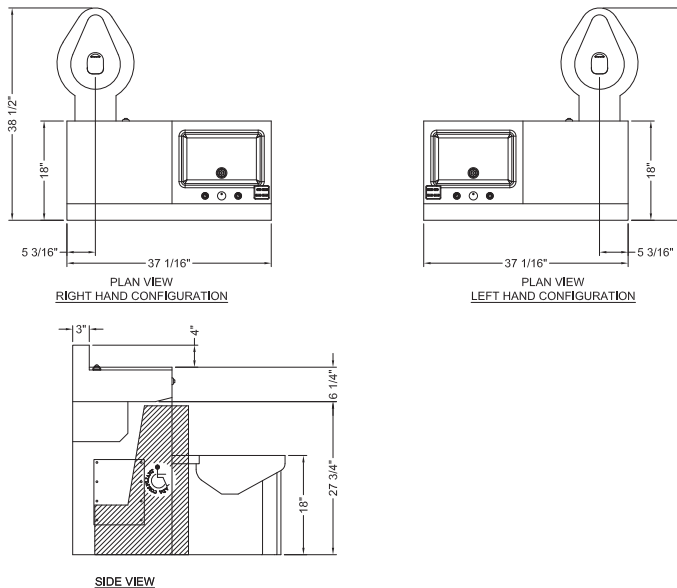
**14.) Other Options:**

- T4 Manual Reset Toilet Overflow Preventer, Req. (FV)
- T4A Auto Reset Toilet Overflow Preventer, Req. (FV)
- ET4 Electronic Toilet Overflow Preventer, Requires (EFVP) & (WUCC-3010) or (WMSII)
- FV Hydraulic Flush Valve (Includes Push Button)
- EFVP Electronic Flush Valve w/ (PZPB) (Pick Control)
- HS Hinged White Plastic Seat (Not recommended for Max. Security/Ligature-resistant use; No Cover)
- RTH Recessed Tissue Holder (Not ADA Compliant) (Underneath Lav. Bowl)
- TB1 Single Toothbrush Holder (Located beside Lav. Bowl, opposite Toilet)
- TB2 Dual Toothbrush Holder (Located beside Lav. Bowl, opposite Toilet)
- TH1 Single Towel Hook (Located beside Lav. Bowl, opposite Toilet)
- TH2 Dual Towel Hook (Located beside Lav. Bowl, opposite Toilet)
- DC Decorator Color (Fixture exterior only - White)
- TF24H Hard-wired Transformer, 110VAC to 24VAC\*
- TF24P Plug-in Transformer, 110VAC to 24VAC\*
- HPS High Polish Seat
- VG Vent Grille, 6-1/2"x 9-1/2" (13-3/4 in<sup>2</sup> free area)
  - L  R
- MT Wall Template
- WS Wall Sleeve (Requires Accessible Chase)
- LSK Less Ligature-resistant Toilet Skirt
- TG 12 Gauge Cabinet
- TSC Toilet Shipping Cover
- DFBH Ligature-resistant DM Drinking Fountain Bubbler\*\* (Panel Mounted Push Button)
- Other \_\_\_\_\_
- Other \_\_\_\_\_

\*(Req. 110V power through ground fault interrupter (GFI) receptacle)

Approved For Manufacturing By: \_\_\_\_\_ Date: \_\_\_\_\_ Company: \_\_\_\_\_  
 Wall Thickness: \_\_\_\_\_ Wall Type: \_\_\_\_\_

**VERIFY ALL DIMENSIONS WITH FACTORY PRIOR TO ROUGH-IN**  
 WILLOUGHBY RESERVES THE RIGHT TO MAKE CHANGES IN DESIGN AND DIMENSIONS WITHOUT FORMAL NOTICE AND WITHOUT INCURRING OBLIGATION.



visit our website at [www.willoughby-ind.com](http://www.willoughby-ind.com)  
 5105 West 78th Street • Indianapolis, IN. 46268  
 (317) 875-0830 • Fax: (317) 875-0837 • (800) 428-4065



MADE IN THE U.S.A.