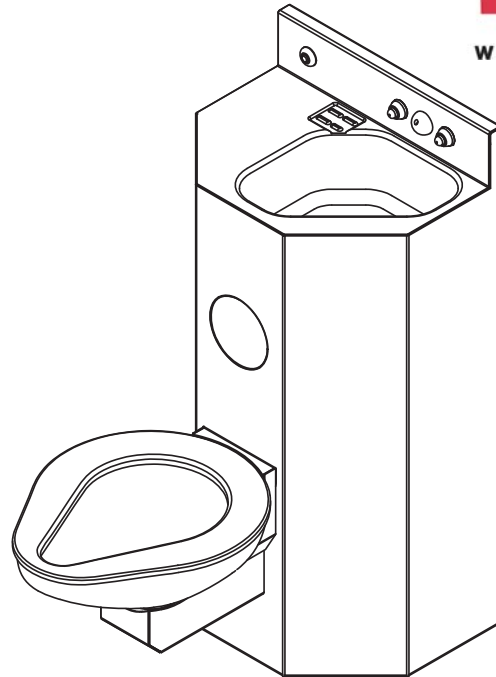


1847 Series 18" Wide Combination Lavatory/Toilet Units with Angled Lavatory Bowl



ANGLED RIGHT LAV. UNIT SHOWN
(Unit may be shown with optional features)

To specify fixture and accessories, use the Model Number and Options page.

Example: To specify a wall outlet 18" wide combination unit with angled right lav. bowl, centered toilet, on floor, standard ligature-resistant filler/bubbler, 1.6 GPF, dual temp. pneumatic metering valve, standard ligature-resistant pneumatic push buttons, lav. elbow waste, lav. fast drain, toilet waste extension, 3" PVC waste coupling, hydraulic flush valve, flush valve connection, center recessed tissue holder, and wall sleeve

Use the following Willoughby Model Number:

ECW-1847-R-C-ON-BPH-1.6-PML2-PBH-EB-TWE-TWC3P-FV-FVT-RTHC-WS

Recommended Specifications

18" Wide Combination Lavatory/Toilet Units with Angled Lavatory Bowl shall be: Willoughby Model No. **EC__-1847**
(Select from model number and options list on next page)

Fixture shall be fabricated from 14 gauge, type 304 stainless steel. The construction shall be all welded, with exposed stainless surfaces polished to a #4 satin finish.

Standard toilet shall include:

- Elongated toilet bowl with contoured seat
- Integral crevice-free self-draining flushing rim with positive afterfill
- Bead blast finish bowl interior

Toilet shall be blowout type, requiring 35 psi min. flushing pressure. Model shall meet the requirements of ASME A112.19.3/CSA B45.4.

Standard lavatory shall include:

- Multi-sided bowl, 12-3/4" x 8-1/4" x 5" deep
- Stainless steel ligature-resistant bubbler/filler
- Fast drain with air vent
- Elbow waste (1-1/2" Plain End)
- Self-draining soap dish

Fixture shall withstand loadings of 5,000 lbs. without permanent damage.

Cabinet interior shall be sound deadened with fire-resistant material.

Anchoring shall be by standard 4-point system. Ø1/2" threaded rods, nuts and washers shall be furnished for walls up to 8" thick. Unit shall require chase area for installation and maintenance.

On back to back fixture installations, do not use standard cross type waste fitting: cross flow may result due to blowout jet action. Use sanitary or offset type waste fittings.

Note: Unit will pass a 2" ball.

Note: Fixture should only be used with a listed high-efficiency flushometer to ensure the complete system meets the requirements of WaterSense.



WARNING: Cancer and Reproductive Harm

- www.P65Warnings.ca.gov

visit our website at www.willoughby-ind.com
5105 West 78th Street • Indianapolis, IN. 46268
(317) 875-0830 • Fax: (317) 875-0837 • (800) 428-4065



MADE IN THE U.S.A.

MODEL NUMBER AND OPTIONS:

1.) Toilet Waste Location:

- ECW Wall Outlet
- ECF Floor Outlet

2.) Base Model Number:

- 1847 18" Wide Angled Lav-toilet Combination

3.) Lav. Bowl Orientation:

- L -Angled Left
- R -Angled Right

4.) Toilet Orientation:

- L -Angled Left
- R -Angled Right
- C -Centered

5.) Fixture Mounting:

- OF Off-Floor (ECW Only)
- ON On-Floor

6.) Bubbler Selection:

- BPH Ligature-resistant Bubbler/Filler (Standard)
- BC Code Bubbler/Filler (w/ Non Ligature-Resistant Mouth Guard)
- FLH Ligature-resistant Lav. Filler

6.) Flush Valve GPF (Must Specify):

- 1.28 GPF HET (4.8 Lpf) (WaterSense Labeled)
- 1.6 GPF ULF (6.0 Lpf)
- 3.5 GPF (13.2 Lpf)

8.) Lavatory Valve Selection:

- NV No Valve
- PSL1 Single Temp. Pneumatic Non-metering
- PSL2 Dual Temp. Pneumatic Non-metering
- PML1 Single Temp. Pneumatic Metering
- PML2 Dual Temp. Pneumatic Metering
- E1L1 Single Temp. Electronic (Pick Control)
- E1L2 Dual Temp. Electronic (Pick Control)

Valve Manifold Options:

Pneumatic or Electronic Only:

- MA2
- MA3
- MA4

9.) Lavatory Push Button Selection:

- PBH Ligature-resistant Pneumatic Push Buttons
- PZPB Ligature-resistant Piezo Electronic Push Buttons

10.) Electronic Controls*

(Must Use Electronic Lavatory & Flush Valves):

- WUCC-3010
- Pneumatic
- WMSII

11.) Lavatory Waste:

- EB Elbow Waste (1-1/2" Plain End) (Standard)
- PT Integral 'P'-Trap (1-1/2" Plain End)
- LWE Lavatory Waste Extension (Specify if more than 3")
- OV Lavatory Overflow
- CW1 Combined Waste w/o Clean-out
- CW2 Combined Waste w/ Clean-out
- LW1 Thru-Wall Extension, 'P'-Trap
- LW2 Thru-Wall Extension & Clean-out
- SLOW Slow Drain
- LWC1 Coupling, 1-1/2" Tube to 1-1/2" Tube
- LWC2 Coupling, 1-1/2" Tube to 1-1/2" PVC /Cast Iron

12.) Toilet Waste:

- GWC Gasketed Waste Connection (Standard on ECF)
- TWE Toilet Waste Extension (Standard on ECW)
- TW3 3" Clean-out for (TWE)
- TW4 Floor Outlet Waste Connection
- TW5 4" Clean-out for (TWE)
- PC3 Pinned Clean-out Plug PVC-3"
- PCB3 Pinned Clean-out Plug Brass-3"
- PC4 Pinned Clean-out Plug PVC-4"
- PCB4 Pinned Clean-out Plug Brass-4"
- COH4 4" Clean-out Hook, 4" PVC Plug
- COHB4 4" Clean-out Hook, 4" Brass Plug

*(Req. 110V power through ground fault interrupter (GFCI) receptacle)

13.) Waste Coupling for (TWE) Toilet Waste Extension:

- TWC3P Connecting to 3" PVC
- TWC3C Connecting to 3" Cast Iron
- TWC4P Connecting to 4" PVC
- TWC4C Connecting to 4" Cast Iron

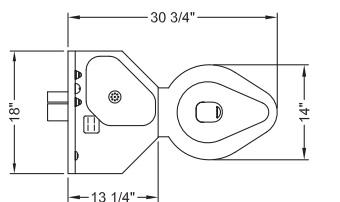
14.) Other Options:

- T4 Manual Reset Toilet Overflow Preventer, Req. (FV)
- T4A Auto Reset Toilet Overflow Preventer, Req. (FV)
- ET4 Electronic Toilet Overflow Preventer, Requires (EFVP) & (WUCC-3010) or (WMSII)
- FV Hydraulic Flush Valve (Includes Push Button)
- EFVP Electronic Flush Valve w/ (PZPB) (Pick Control)
- TFE Toilet Flush Extension
- FVT Flush Valve Connection
- HS Hinged White Plastic Seat (Not recommended for Max. Security/Ligature-resistant use; No Cover)
- RTH__ Recessed Tissue Holder
 - L LF
 - C
 - RF
 - R
- ISH Integral Shelf
- TB1__ Single Toothbrush Holder
 - L
 - R
- TB2__ Dual Toothbrush Holder
- TH1__ Single Towel Hook
 - L LF
 - RF
 - R
- TH2__ Dual Towel Hook
 - L LF
 - RF
 - R
- DC Decorator Color (Fixture exterior only - White)
- TF24H Hard-wired Transformer, 110VAC to 24VAC*
- TF24P Plug-in Transformer, 110VAC to 24VAC*
- HPS High Polish Seat
- VG Vent Grille, 6-1/2"x 9-1/2" (13-3/4 in² free area)
 - L LF
 - RF
 - R
- MT Wall Template
- WS Wall Sleeve (Requires Accessible Chase)
- SK Ligature-resistant Toilet Skirt, (ON) On-Floor Only
- TG 12 Gauge Cabinet
- TSC Toilet Shipping Cover
- FA Front Access (For use when no chase exists)
- Other _____

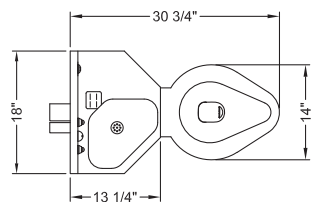
Approved For Manufacturing By: _____ Date: _____ Company: _____

Wall Thickness: _____ Wall Type: _____

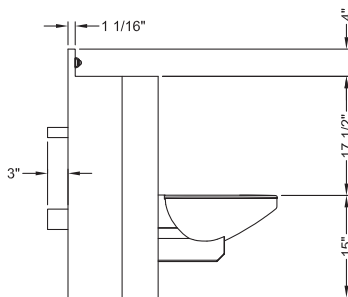
VERIFY ALL DIMENSIONS WITH FACTORY PRIOR TO ROUGH-IN
WILLOUGHBY RESERVES THE RIGHT TO MAKE CHANGES IN DESIGN AND DIMENSIONS WITHOUT FORMAL NOTICE AND WITHOUT INCURRING OBLIGATION.



RIGHT HAND LAV BOWL PLAN VIEW



LEFT HAND LAV BOWL PLAN VIEW



SIDE VIEW

visit our website at www.willoughby-ind.com
5105 West 78th Street • Indianapolis, IN. 46268
(317) 875-0830 • Fax: (317) 875-0837 • (800) 428-4065



MADE IN THE U.S.A.